

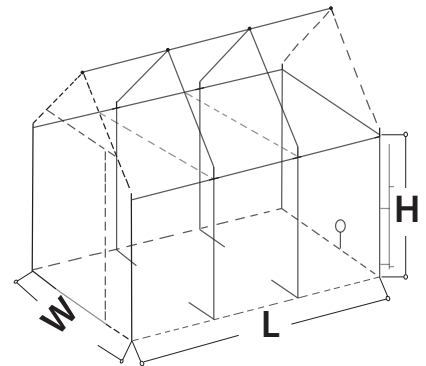
## Vertical Farm Rack

Please provide us with the following information for a FREE layout. Please try to complete this form as thoroughly as possible. Any missing data may delay in receiving a layout and may result in a less efficient layout.

<b>Project name:</b>	<b>Ship to ZIP code:</b>
<b>Job company:</b>	<b>Customer contact:</b>
<b>Email:</b>	
<b>Dealer company:</b>	<b>Email:</b>
<b>Dealer contact:</b>	<b>Phone:</b>

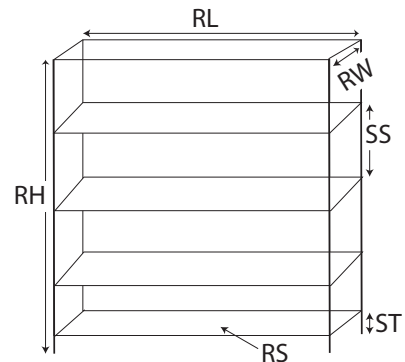
### BUILDING MEASUREMENTS:

Number of rooms	Room Width <b>W</b>	Room Length <b>L</b>	Room Height <b>H</b>



### RACK INFORMATION:

Rack	Quantity of Like Racks	Rack Width <b>RW</b>	Rack Length <b>RL</b>	Number of Shelves <b>RS</b>	Shelf Spacing <b>SS</b>	First Shelf Starts <b>ST</b>
1						
2						
3						
4						



### LIGHT NEEDS:

<b>Growth Stage:</b>	<input type="checkbox"/> Propagation	<input type="checkbox"/> Vegetative	<input type="checkbox"/> Flowering
<b>Desired Light Level:</b>	<input type="checkbox"/> Base it on my crop type and focus on:	<b>OR</b>	<input type="checkbox"/> Please design to my desired light level at the following:
	<input type="checkbox"/> High quality levels		<input type="checkbox"/> Micromoles:
	<input type="checkbox"/> Good quality levels		<input type="checkbox"/> Footcandles:
	<input type="checkbox"/> Acceptable quality levels		<input type="checkbox"/> Moles/Day (natural + supplemental light):
<b>My crop is:</b>			

### FIXTURE INFORMATION:

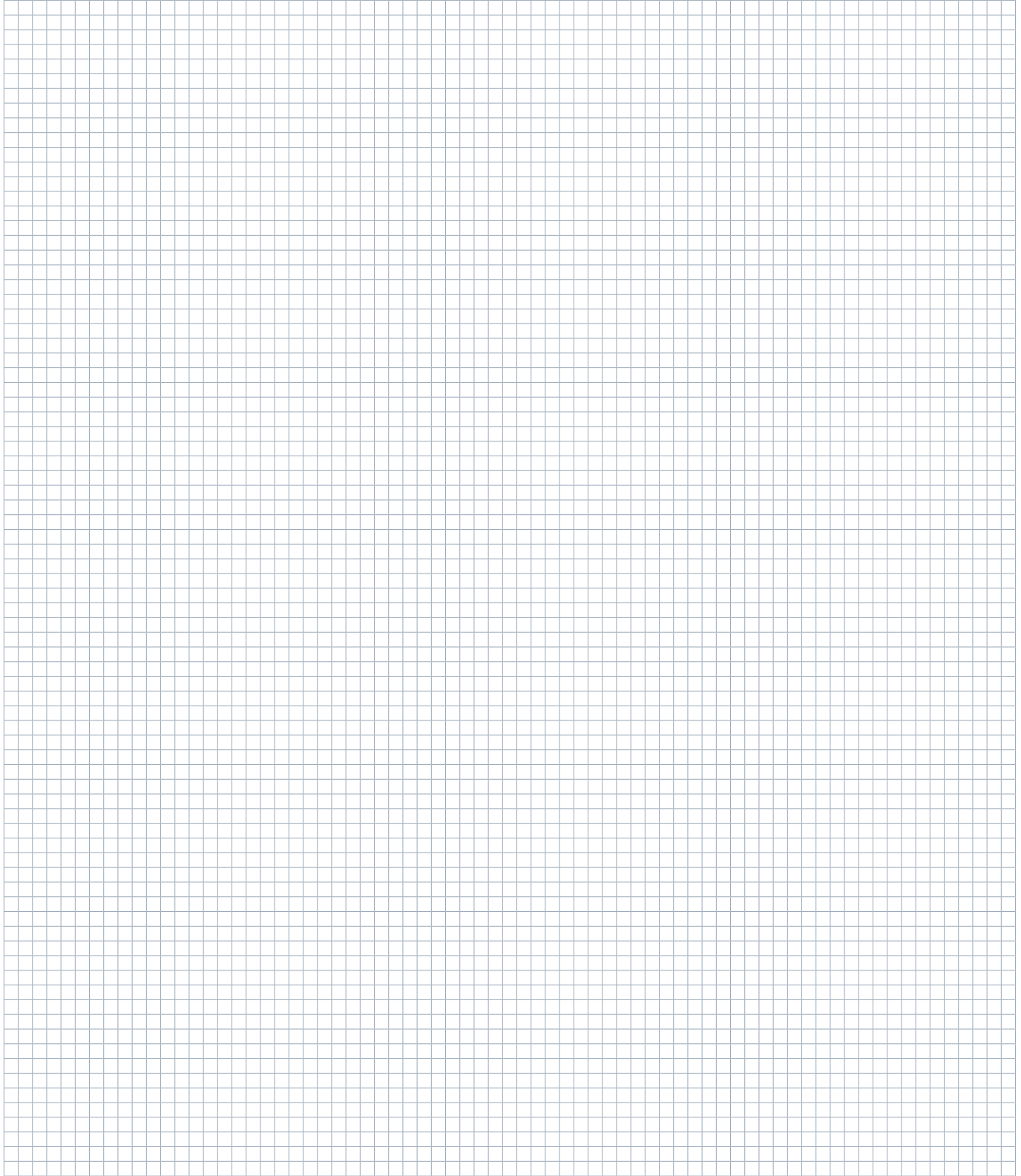
<b>Fixture Type:</b>	<input type="checkbox"/> LED	<input type="checkbox"/> Fluorescent	<input type="checkbox"/> Other (describe):			
<b>Desired Voltage:</b>	<input type="checkbox"/> 120V	<input type="checkbox"/> 208V	<input type="checkbox"/> 240V	<input type="checkbox"/> 277V	<input type="checkbox"/> 347V	<input type="checkbox"/> 480V

Please see page 2 for grid to submit your rack layout.

Fax completed form to 800-634-9906 or email to Commercial@Hydrofarm.com

# Light Request Form

Please submit a sketch of your rack layout with your dimensions:

A large grid area for sketching a rack layout with dimensions. The grid is composed of small squares, providing a scale for drawing the layout.

Fax completed form to 800-634-9906 or email to [Commercial@Hydrofarm.com](mailto:Commercial@Hydrofarm.com)